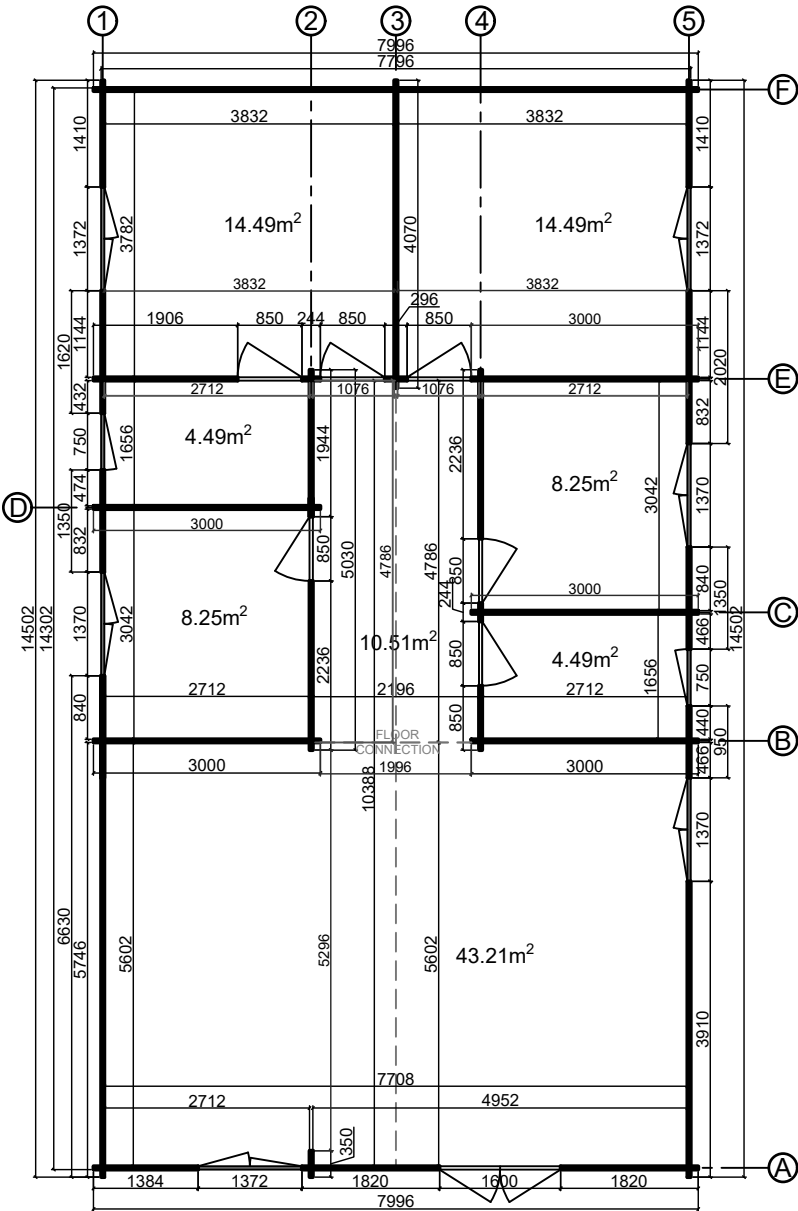


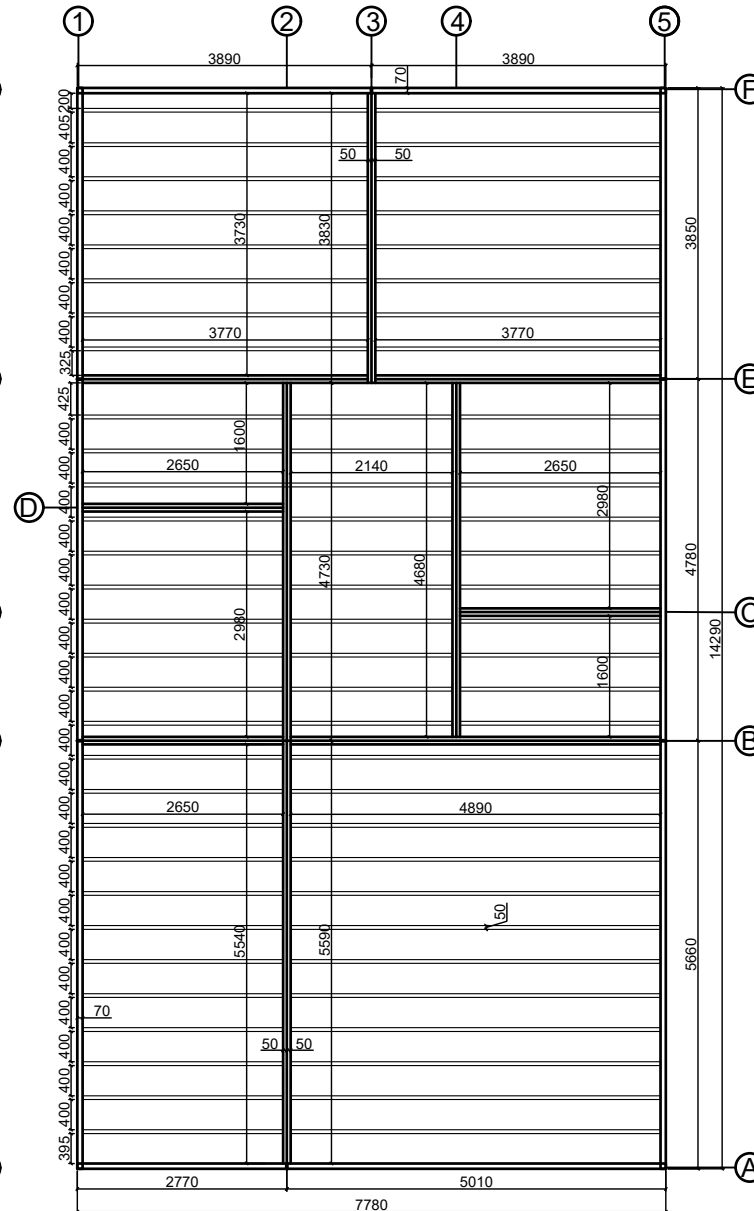
# N25 080 145

Floor plan



# Porto116 m<sup>2</sup>

Base plan



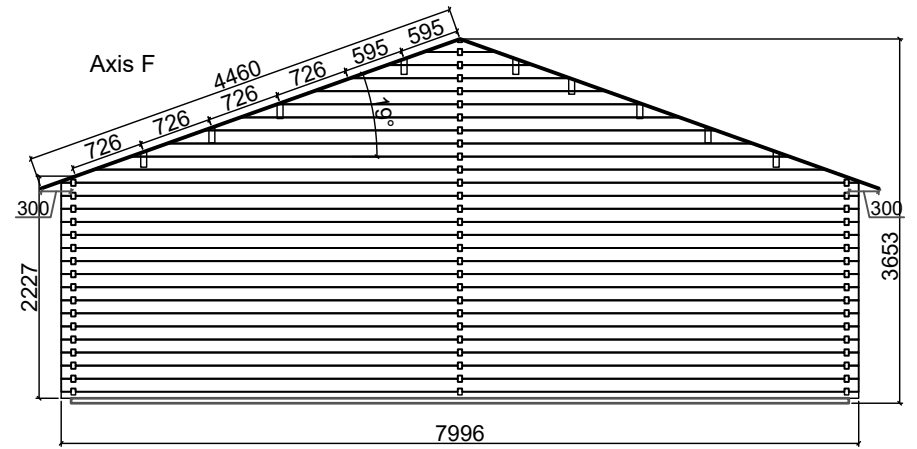
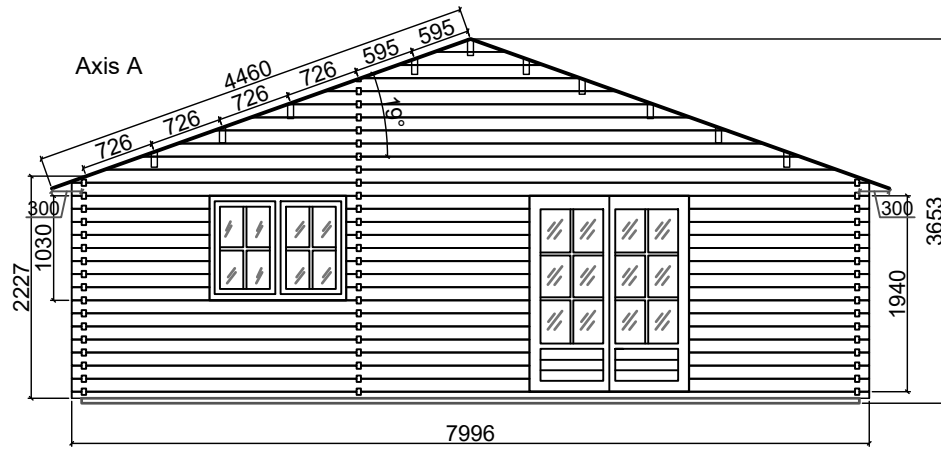
CODE	<b>G3</b>	<b>G4</b>	<b>W3</b>	<b>W1</b>
SIZE/mm	1600x1940	850x1940	1370x1030	750x1030
QUANTITY	<b>1</b>	<b>6</b>	<b>6</b>	<b>2</b>
LEFT/RIGHT	<b>0/1</b>	<b>2/4</b>	<b>3/3</b>	<b>1/1</b>

### CABIN SPECIFICATION

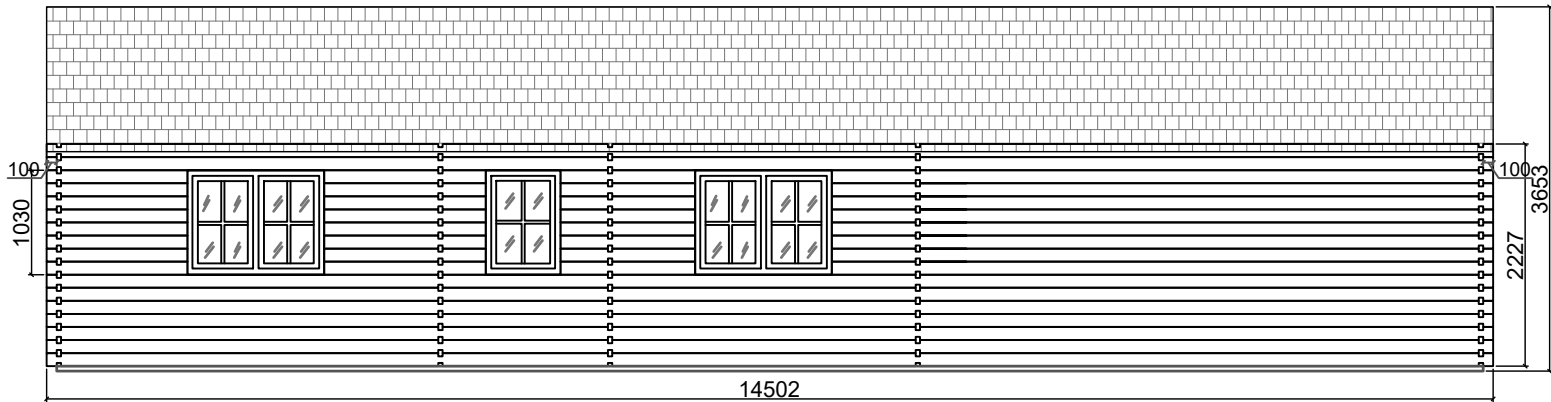
WALL LOG: 44mm  
 SIZE (m): 8x14.5  
 SIDE WALL HEIGHT : 2227mm  
 RIDGE HEIGHT: 3653 mm  
 FLOOR AREA m<sup>2</sup>: 108.15  
 ROOF AREA m<sup>2</sup>: 129.35  
 FLOOR BOARDS mm: 19

# N25 080 145

# Porto 116 m<sup>2</sup>



Axis 1



Axis 5

