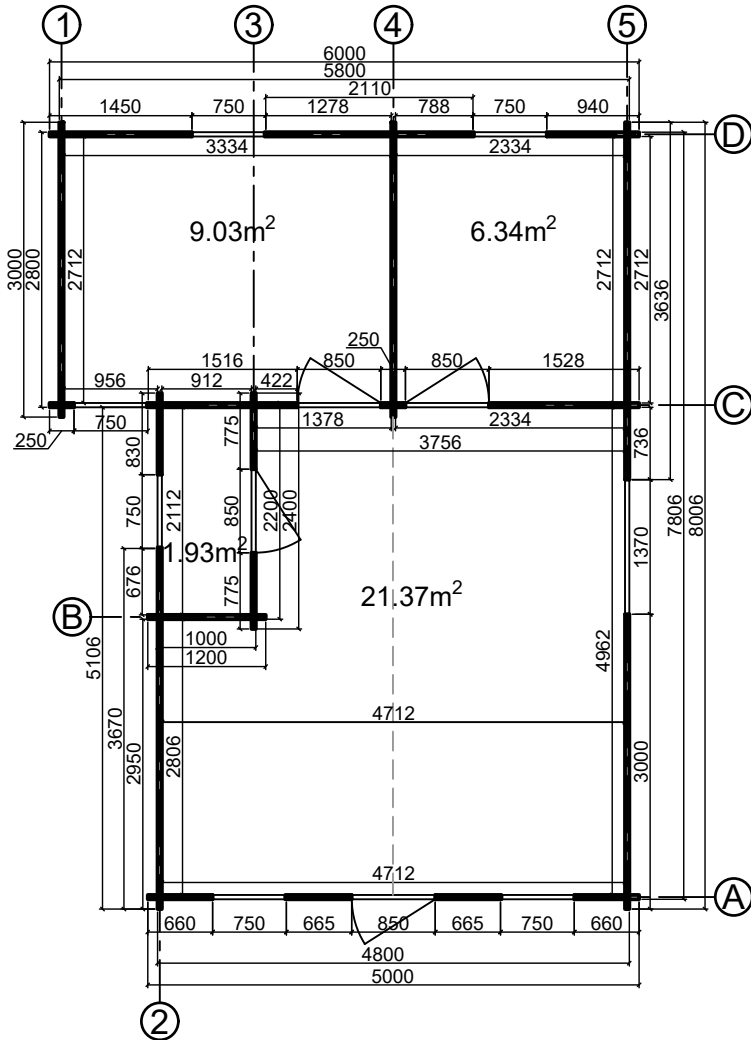


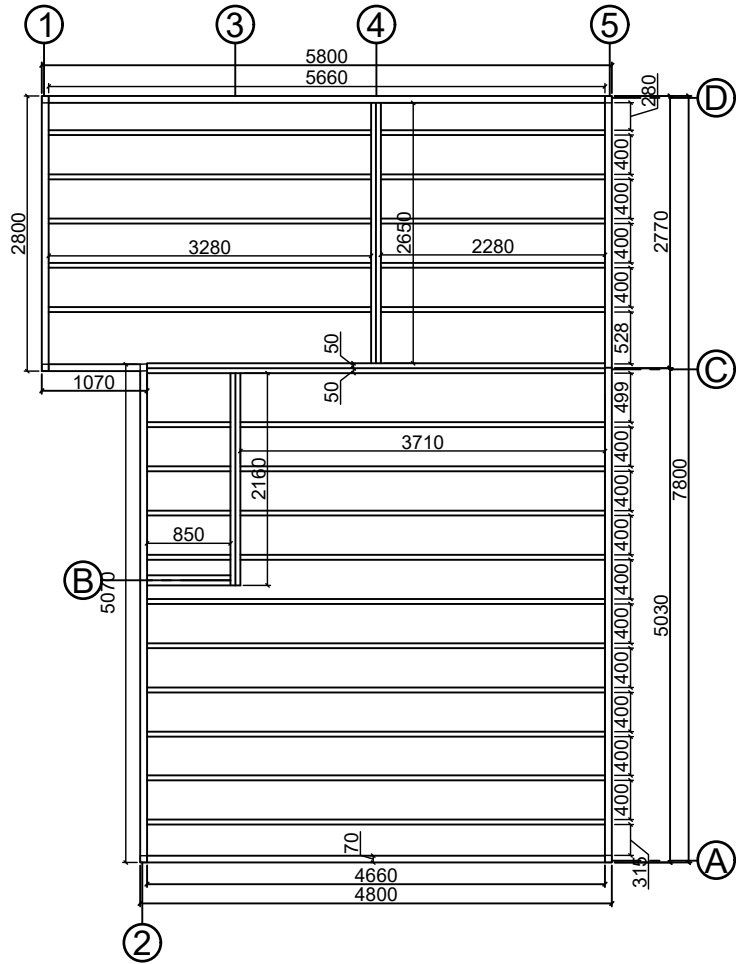
# N22 060 080



Floor plan



Base plan



CODE	<b>P1</b>	<b>G4</b>	<b>W3</b>	<b>W1</b>
SIZE/mm	850x1940	850x1940	1370x1030	750x1030
QUANTITY	<b>1</b>	<b>3</b>	<b>1</b>	<b>6</b>
LEFT/RIGHT	<b>1/1</b>	<b>1/2</b>	<b>0/1</b>	<b>3/3</b>

## CABIN SPECIFICATION

WALL LOG:	44mm
SIZE (m):	6x8
SIDE WALL HEIGHT :	2358mm
RIDGE HEIGHT:	2998 mm
FLOOR AREA m <sup>2</sup> :	38.67
ROOF AREA m <sup>2</sup> :	51.64
FLOOR BOARDS mm:	19

# N22 060 080



# NIDA

LOG CABIN FACTORY

