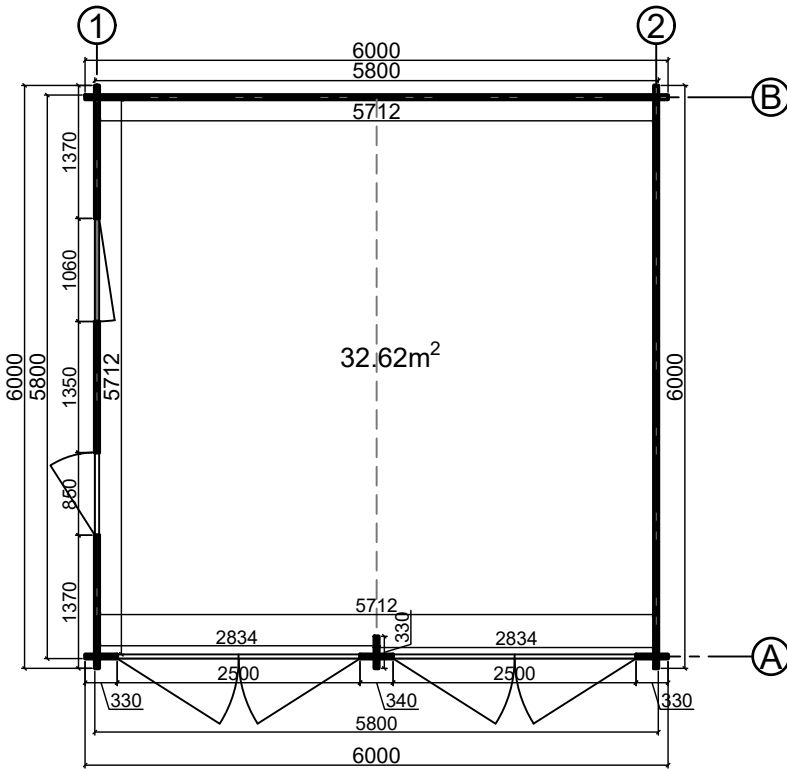
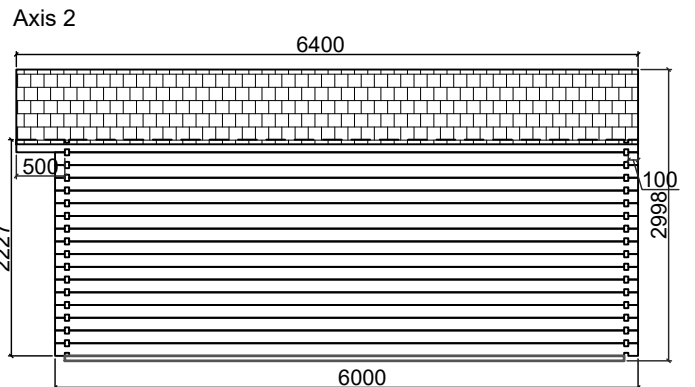
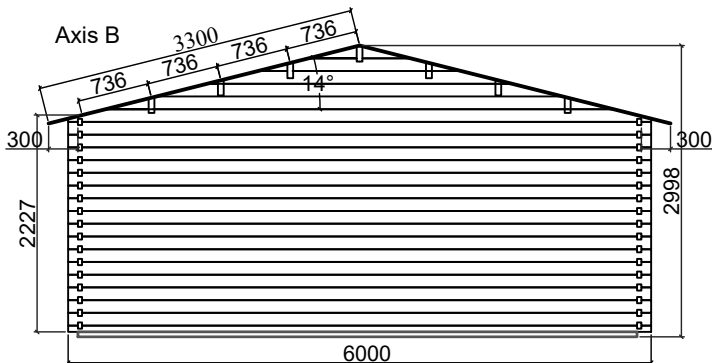
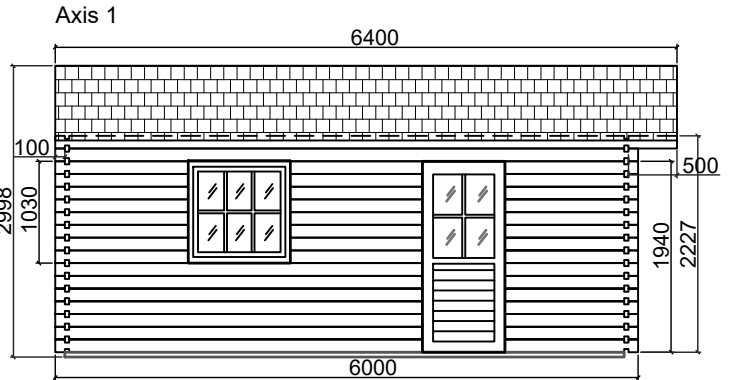
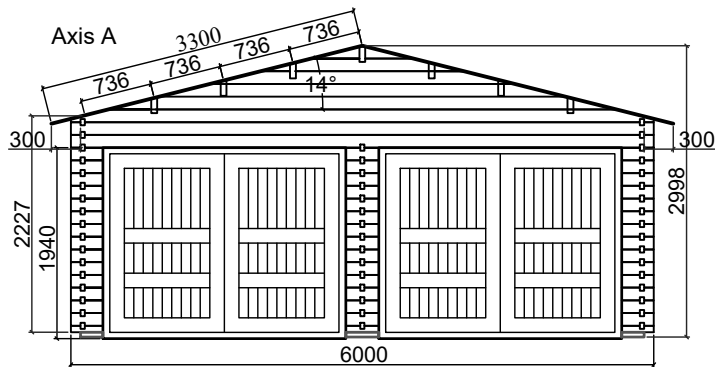
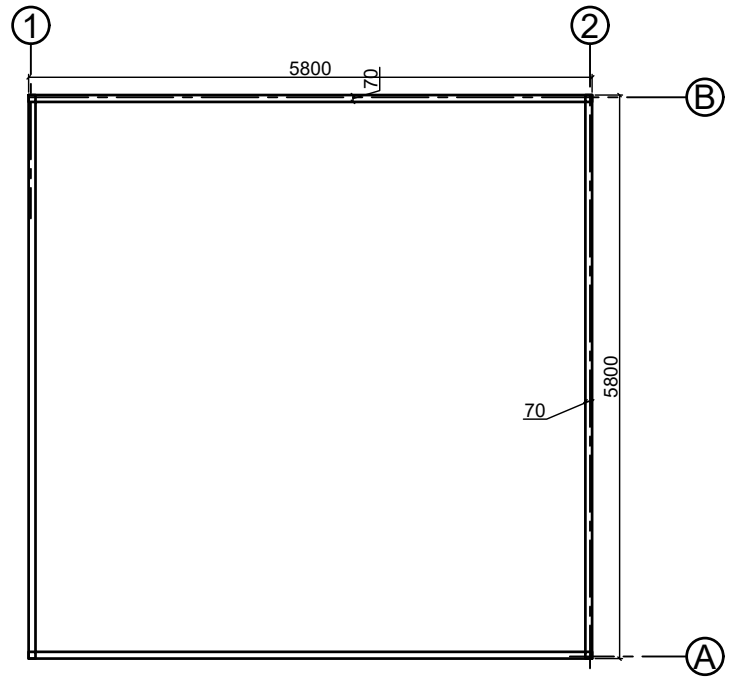


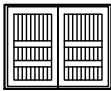


# N15 060 060

Floor plan



Base plan



			
CODE	<b>G5</b>	<b>G1</b>	<b>W2</b>
SIZE/mm	2500x1940	850x1940	1060x1030
QUANTITY	<b>2</b>	<b>1</b>	<b>1</b>
LEFT/RIGHT	<b>0/2</b>	<b>0/1</b>	<b>0/1</b>

## CABIN SPECIFICATION

WALL LOG:	44mm
SIZE (m):	6x6
SIDE WALL HEIGHT :	2227 mm
RIDGE HEIGHT:	2998 mm
FLOOR AREA m <sup>2</sup> :	32.62
ROOF AREA m <sup>2</sup> :	42.24
FLOOR BOARDS mm:	No floor