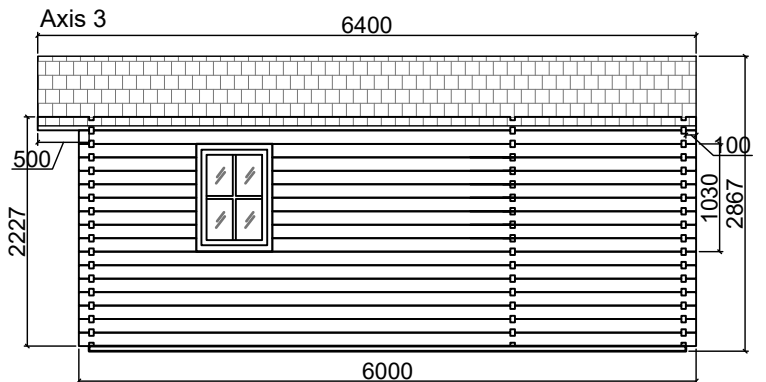
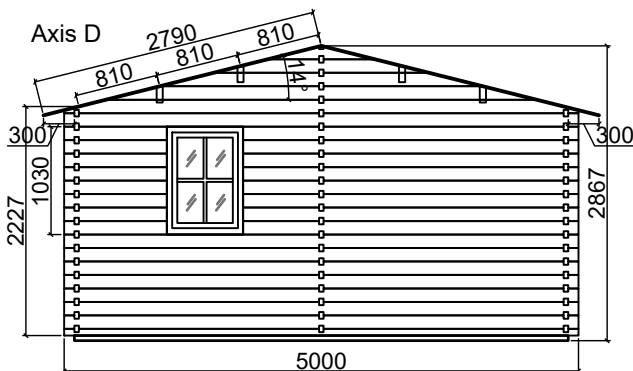
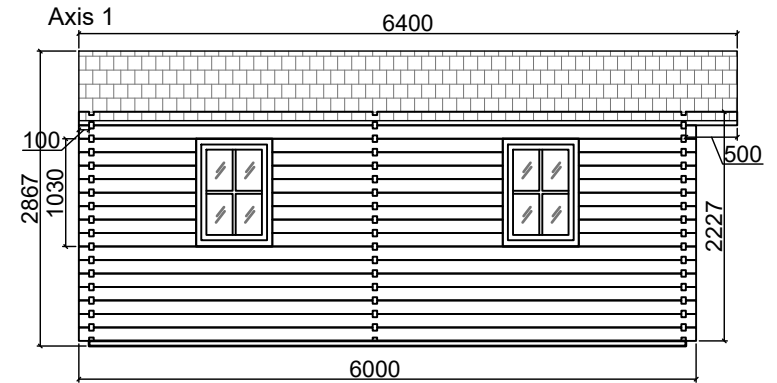
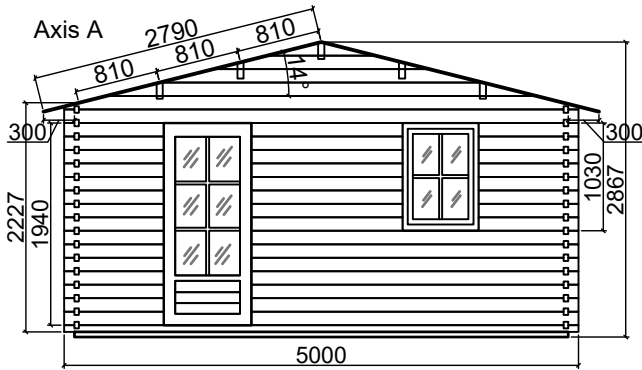
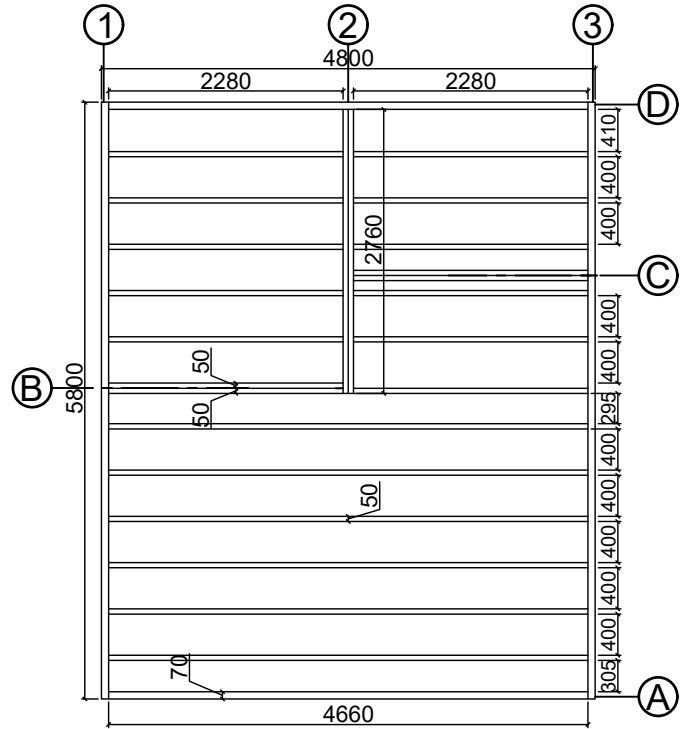
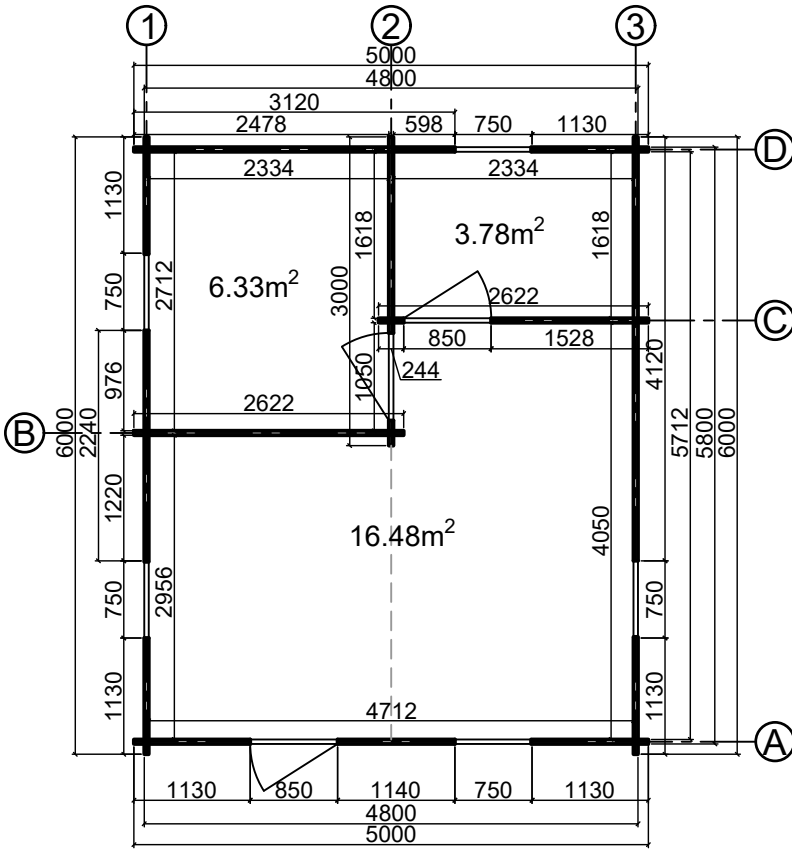


N08 050 060

Floor plan

Base plan



CODE	P1	G4	W1
SIZE/mm	850x1940	850x1940	750x1030
QUANTITY	1	2	5
LEFT/RIGHT	0/1	0/2	2/3

CABIN SPECIFICATION

WALL LOG:	44mm
SIZE (m):	5x6
SIDE WALL HEIGHT :	2227 mm
RIDGE HEIGHT:	2867 mm
FLOOR AREA m ² :	26.59
ROOF AREA m ² :	35.71
FLOOR BOARDS mm:	19